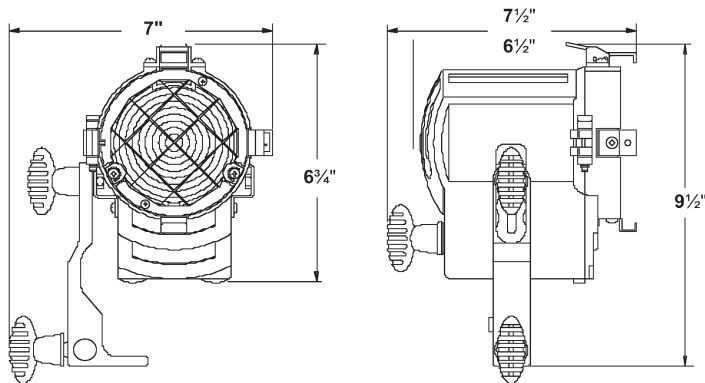




## BAMBINO 500W, BAMBINO 200W Quartz Halogen Fresnel

- ❑ Improved light quality and output, producing a flatter and more even field
- ❑ High quality, rugged, durable
- ❑ Corrosion resistant for longer life
- ❑ Compatibility of parts throughout the range
- ❑ A comprehensive range of accessories, interchangeable with existing Quartzcolor products
- ❑ Easy to service and maintain
- ❑ Large focusing knob on rear
- ❑ New worm drive mechanism for precise focusing
- ❑ Die cast aluminum sliding side mount yoke
- ❑ Scratch resistant black non-reflective housing
- ❑ c UL us listed



### Operational data

**Safety:**

1" x 1" wire mesh guard.

**Accessory fitting:**

Stainless steel ears. Spring loaded top catch for retention of accessories.

**Tilt adjustment:**

Pivot located at center of gravity for excellent balance and positive locking.

**Focus adjustment:**

Rear focusing knob for smooth and precise action from spot to flood positions

**Lamp access:**

Hinged lens door allows easy access for lamp replacement.

### Weights & dimensions

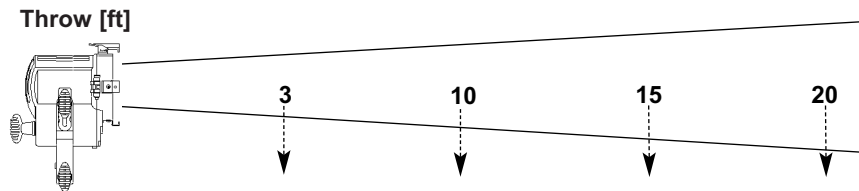
Lens diameter	3 1/2"
Accessory diameter	5 1/8"
Filter cut size	4 1/2" x 4 1/2"
Weight (head + yoke)	5 1/2 lbs
Packed weight	7 3/4 lbs
Packed volume	0.82 cu ft

# Quartz Halogen Fresnels



Strand Studio Lighting

## Photometric data



**Bambino 200W** - Typical performance based on FEV 200W lamp:

	FC	φ [ft]	FC	φ [ft]	FC	φ [ft]	FC	φ [ft]
<b>SPOT</b> (10.8°)	1733	0.6	156	2.0	69	3.0	39	3.9
<b>FLOOD</b> (45.3°)	446	2.5	40	8.4	18	12.5	10	16.7

**Bambino 500W** - Typical performance based on FRG 500W lamp:

	FC	φ [ft]	FC	φ [ft]	FC	φ [ft]	FC	φ [ft]
<b>SPOT</b> (10.8°)	4633	0.6	417	2.0	185	3.0	104	3.9
<b>FLOOD</b> (45.3°)	1122	2.5	101	8.4	45	12.5	25	16.7

## Ordering information

### Cat No Description

- 27616** **Bambino 200W** supplied with yoke, color frame, 8-leaf rotating barndoor
- 27626** **Bambino 500W** supplied with yoke, color frame, 8-leaf rotating barndoor

### Optional Accessories

#### Cat. No Description

- 28103** Color frame
- 28108** 8 leaf barndoor
- 28107** Scrim set (two double scrims, one single scrim, one half double scrim, one half single scrim)
- 28104** Cone (adjustable)

## Mechanical data

### Paint / Finish:

Powder coated epoxy paint with special extra high temperature treatment in critical areas. External textured low gloss finish

### Lamp house

Die cast aluminum

### Mounting:

Die cast aluminum sliding side mount yoke 5/8" socket

## Environmental Data

**Max operating ambient temperature:** 110°F

**IP Rating:** IP 20

**Tilt recommended angle of use:** -90° / 0 / 90°

## Electrical data

**Cable / Switching:** 13' cable with in-line 15A/120V ON-OFF toggle switch

**Standards compliance:** c UL us listed

## Lamp data Bambino 200W

<b>Lamp code</b>	FEV - 200W
<b>LCL</b>	1 <sup>3</sup> / <sub>8</sub> "
<b>Base</b>	BA15d
<b>Lumens</b>	5500
<b>Rated life hours (H)</b>	50
<b>Color temp. (K)</b>	3200

## Lamp data Bambino 500W

<b>Lamp code</b>	FRG - 500W
<b>LCL</b>	1 <sup>13</sup> / <sub>16</sub> "
<b>Base</b>	GY9.5
<b>Lumens</b>	13000
<b>Rated life hours (H)</b>	150
<b>Color temp. (K)</b>	3200

## Strand Lighting Inc

6603 Darin Way, Cypress, CA 90630, USA  
Tel: +1 714 230 8200 Fax +1 714 230 8173

## Strand Lighting (Canada)

### Inc/Eclairages Strand (Canada) Inc

2430 Lucknow Drive No 15  
Mississauga Ontario L5S 1V3 Canada  
Tel: +1 905 677 7130 Fax: +1 905 677 6859



The Company reserves the right to make any variation in design or construction to the equipment described.  
© Strand Lighting Ltd. 2002  
Strand™, Strand Lighting™, Strand Quartzcolor™ are trademarks of Strand Lighting Limited and Strand Lighting Inc.