

Specifications

Genie United States

18340 NE 76th Street
P.O. Box 97030
Redmond, Washington 98073-9730

Telephone **(425) 881-1800**
Toll Free in USA/Canada **800-536-1800**
Fax (425) 883-3475

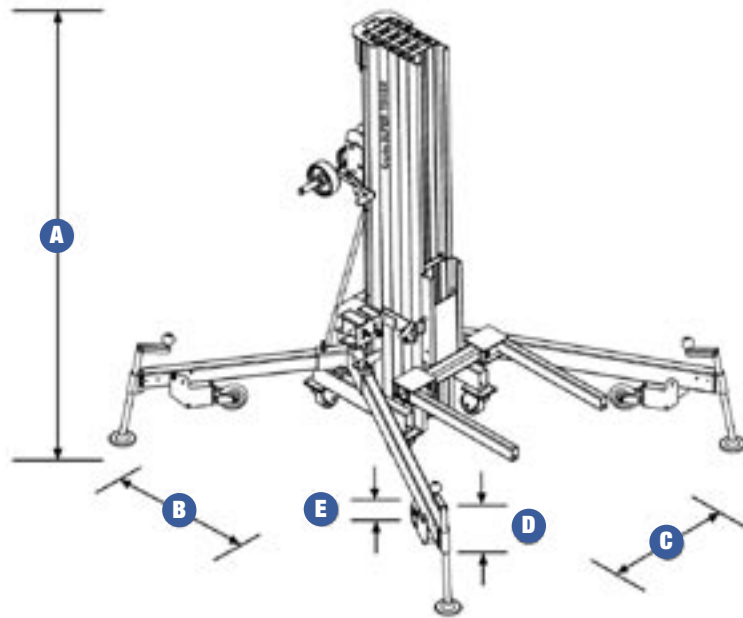
Genie Europe

The Maltings
Wharf Road
Grantham NG31 6BH
U.K.

Telephone **+44 (0)1476 584333**
Fax +44 (0)1476 584334
Email: infoeurope@genieind.com

www.genieindustries.com

Distributed By:



MODELS	ST™-20		ST™-25	
	US	Metric	US	Metric

MEASUREMENTS:

A Height- stowed	6 ft 6.75 in	2 m	6 ft 6.75 in	2 m
B Length- stowed	2 ft 1.25 in	64 cm	2 ft 1.25 in	64 cm
C Width- stowed	1 ft 10 in	56 cm	1 ft 10 in	56 cm
Load capacity-at 18 in load center	800 lbs	363 kg	650 lbs	295 kg

PRODUCTIVITY:

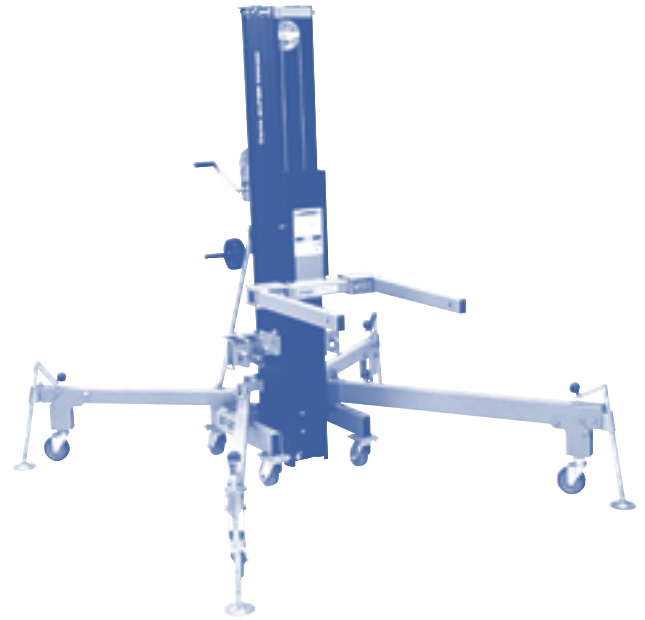
Working height- forks up	21 ft 2.5 in	6.46 m	26 ft .5 in	7.94 m
Working height- forks down	19 ft 6 in	5.94 m	24 ft 4 in	7.42cm
D Load height minimum	6 in	15 cm	6 in	15 cm
E Ground clearance	2 in	5 cm	2 in	5 cm
Length- adjustable forks	27.5 in- 30 in	70 - 79 cm	27.5 in- 30 in	70 - 79 cm
Width- adjustable forks	2.5 in-11.5 in	6 - 29 cm	2.5 in-11.5 in	6 - 29 cm
Weight- adjustable forks	52.5 lbs	24 kg	52.5 lbs	24 kg
Outrigger footprint	73.5 x 79.5 in	1.87x2.02 m	73.5 x 79-.5 in	1.87x2.02 m
Casters	standard casters		standard casters	

POWER:

One speed winch				
Average cranks-	8.5 cranks/ft	28 cranks/m	8.5 cranks/ft	28 cranks/m
Weight*	446 lbs	202 kg	490 lbs	222 kg

* Weight will vary depending on options and/or country standards.

For further information, please contact your local distributor or the Genie Industries sales office listed. Continuous improvement of our products is a Genie policy. Product specifications are subject to change without notice or obligation. The photographs and drawings in this brochure are for illustrative purposes only. Refer to the appropriate Operator's Manual for instructions on the proper use of this equipment. Failure to follow the appropriate Operator's Manual when using our equipment or to otherwise act irresponsibly may result in serious injury or death. Prices and specifications subject to change without notice. The only warranty applicable is the standard written warranty applicable to the particular product and sale. Genie makes no other warranty, expressed or implied. Products and services listed may be trademarks, service marks or trade-names of TEREX Corporation and/or its subsidiaries in the USA and other countries and all rights are reserved. Copyright ©2005 Genie Industries, Inc. "Genie" is a Registered Trademark of Genie Industries, Inc. in the USA and many other countries. Genie is a TEREX Company. ST 3K 0305A, Part No. 109327



Easily Configured to Meet Your Needs:

FORK OPTIONS

- Load platform
- Fork extensions

POWER OPTIONS

- One speed winch
- Two speed winch

BASE OPTION

- Standard base

CASTER OPTION

- Standard casters

Standard Features

MEASUREMENTS:

- ST™-20 has up to 21 ft 2.5 in (6.46 m) working height
- Up to 800 lb (363 kg) load capacity
- ST-25™ has up to 26 ft .5 in (7.94 m) working height
- Up to 650 lb (295 kg) load capacity

POWER:

- One speed winch
- Reversible winch handle for easy storage

PRODUCTIVITY:

- Use as a single unit or two or more can be used together to support trusses
- Flat black anodized finish is nearly invisible to audience
- Portable and compact design
- Lightweight durable aluminum construction
- Single door access
- Easy set-up with no tools required
- Durable steel forks
- Hand winch locks in place when handle is released
- Easy to transport- no bulky base
- Hold-down mechanism secures carriage during transport

Options and Accessories

PRODUCTIVITY

- Load platform
- Fork extensions

POWER:

- Two speed winch