

Pacific 12°-28° Zoomspot



A base down 575 / 750 / 1000W axial ellipsoidal delivering a “cool” beam of light in a beam range adjustable between 12° to 28°. The beam is a crisp “white” light with little or no distortion, ideal for gobo projection and precise beam shaping.

Energy efficient fixture with active heat management system delivers longer life for filters and shutters while providing lower energy consumption.

Fully featured fixture constructed from aluminum pressure die-castings and injection molded Fortron plastic components.

Features

Compact 12°-28° fixture only 2 feet long.

Cool light 'white' light. Over 80% of the heat is removed from the light beam by cold mirror and dissipated through the heatsink.

Base down lamp mounted axially in the reflector to maximize light collection.

Accurate, simple & cool to use, lamp peak / flat adjustment.

Two gobo / iris mounting positions.

Rotatable lens tube.

Height adjustable yoke.

Permanently attached safety cable ensures that this important safety requirement is always on hand.

Integral micro-switch provides automatic disconnection of power to the fixture when opening to relamp, preventing a student or technician inserting a lamp into an electrically live fixture.

Three year warranty.

Approvals

ETL / cETL listed to UL 1573.

Lamps: 115V

GLC 575W 15,500 lumens	300hrs average life
GLA 575W 13,000 lumens	1500hrs average life
GLD 750W 18,600 lumens	400hrs average life
Philips 120V 750W 20,500 lumens	Type code 6981P 300hrs average life
GAC 1000W BP 27,000 lumens	250hrs average life

Ordering Information

PAC1-575/750-1228	Pacific 12-28 Zoomspot, 575W, 750W
PAC1-1000-1228	Pacific 12-28 Zoomspot, 1000W
19PACGHM	Steel gobo holder – M size
19PACGHMG	Glass gobo holder – M size
19PACGHPLPH	Printed transparency holder – 575W only
20IRIS	Iris
19PACZDONUT	Donut
20CFSF12	Spare color frame
19PACSM1228	Lens safety mesh
USCLAMP	Spare US theatrical C-clamp

For connector options please specify the following suffixes when ordering:

- GR NEMA 5-15P Grounded Edison
- GP 20A Stage Pin Plug
- GTL NEMA L5-20P Twist-Lock

SPECIFICATION SUBMITTAL

CONSULTANT: <input type="text"/>	PROJECT NAME: <input type="text"/>	MODEL NUMBER QUANTITY: <input type="text"/> <input type="text"/> <input type="text"/> <input type="text"/> <input type="text"/> <input type="text"/>
DATE: <input type="text"/>	PROJECT NUMBER: <input type="text"/>	APPROVED BY: <input type="text"/>

Photometric Data

Tests conducted using standard 115V production lamps manufactured by Philips.

		Beam Diameter in ft									
Beam angle	12 °, ft	0	2.7	5.6	8.3	11.0	13.9	16.6	19.3	22.1	
Beam angle	28 °, ft	0	6.5	13.2	19.7	26.2	32.9	39.4	45.9	52.4	
Throw Distance in ft		0	13	26.5	39.5	52.5	66	79	92	105	
		Light Output in Footcandles									
Lamp	115V 750W	12° Peak	1997	481	216	122	77	54	40	-	
		Flat	1691	407	183	104	66	46	-	-	
	115V GLC 575W	28° Peak	492	118	53	-	-	-	-	-	
		Flat	418	101	45	-	-	-	-	-	
	115V BP 1000W	12° Peak	1747	420	189	107	68	47	-	-	
		Flat	1440	347	156	88	56	39	-	-	
	115V GLC 575W	28° Peak	418	101	45	-	-	-	-	-	
		Flat	325	78	-	-	-	-	-	-	
	115V BP 1000W	12° Peak	1904	458	206	117	74	52	38	-	
		Flat	1904	458	206	117	74	52	38	-	
	115V GLC 575W	28° Peak	492	118	53	-	-	-	-	-	
		Flat	492	118	53	-	-	-	-	-	

To calculate the light output data for the long life GLA 575W lamp please multiply the above GLC 575W figures by x0.86.

For Lux please multiply Fc by 10.7

Physical Data

Weight: 21lbs

Carton size: 25 1/2" x 15 3/4" x 10 5/8"

Color frame size: 7 5/8" x 7 5/8"

Gobo size: M, 2" diameter image

Gobo holder width: 4 3/4"

AC supply cable: 36"

Included: 1x color frame, 1x safety cable, 1x heat sink guard, 1x C-clamp and instruction sheet.

North America

10911 Petal Street
Dallas, Texas 75238
Tel: +1 214 647 7880
Fax: +1 214 647 8030

267 5th Ave, 4th Floor
New York, NY 10016
Tel: +1 212 213 8219
Fax: +1 212 532 2593

New Zealand

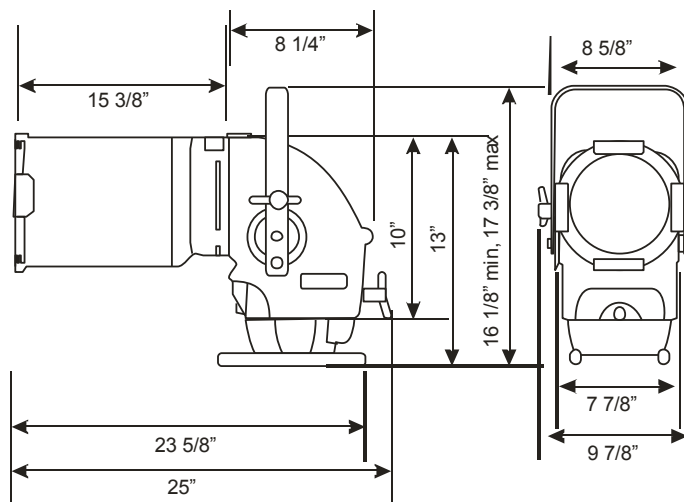
19-21 Kawana Street
Northcote, Auckland 0627
Tel: +64 9 481 0100
Fax: +64 9 481 0101

Hong Kong

Unit C, Block C 14/F.,
Roxy Industrial Centre
No. 41-49 Kwai Cheong Road
Kwai Chung, N.T.
Tel: +852 2796 9786
Fax: +852 2798 6545

European Service & Distribution Centre

Marssteden 152
Enschede 7547 TD
the Netherlands
Tel: +31 53 450 0424
Fax: +31 53 450 0425



© Philips Group 2010

All rights reserved. The Company reserves the right to make any variation in design or construction to the equipment described. E&OE

100411NA

PHILIPS
Selecon