

PATHPORT RACK-MOUNT DMX/RDM ETHERNET GATEWAY



Models shown: 1. PWPP RM P8 XLR5F FRONT IEC
2. PWPP RM P4 [xxxx] REAR DCPOE

BUY AMERICAN ACT

This product is assembled in the USA and meets the Buy America(n) government procurement requirements under FAR, DFARS and DOT regulations. Please refer to www.acuitybrands.com/buy-american for additional information.

WARRANTY

3-year limited warranty. This is the only warranty provided and no other statements in this specification sheet create any warranty of any kind. All other express and implied warranties are disclaimed. Complete warranty terms located at: www.acuitybrands.com/support/warranty/terms-and-conditions

NOTE

Actual performance may differ as a result of end-user environment and application. Specifications subject to change without notice.

Pathway Pro marked products are geared for advanced entertainment lighting system applications and are available only to authorized buyers.

SixEye CONNECTED Pathport Rack-mount models support **SixEye** cloud-based remote management



OVERVIEW

The Pathport[®] series of DMX/RDM Ethernet Gateways are the heart of DMX distribution.

Connect DMX512 control devices and send data over an Ethernet network to DMX512-capable end devices such as intelligent lighting fixtures, LEDs, dimmers, and more. Each port can be configured as an Input or Output as needed.

Advanced features include extensive protocol support, slot-by-slot patching using multiple sources, cross-fading on priority change, and signal loss behavior. Multiple connector options are available, such as 5-Pin XLR, terminal block, and RJ45 etherCON.

Status LEDs for each port provide instant confirmation of DMX activity and direction. The LCD display and encoder knob allow for front panel configuration and reporting of the most commonly used features, such as IP address and subnet mask, port direction, and protocol selection. Different Ethernet protocols may be merged together and prioritized.

FEATURES

- Convert DMX512 to Ethernet protocol for distribution
- Convert Ethernet protocol to DMX512 for end devices
- Four or Eight DMX512 ports, individually configurable
- 10/100 Mbps Ethernet network port
- Front panel interface supports configuration of IP settings, port direction, basic patching, and more
- DMX output configured as whole universes or custom slot-by-slot patch
- Map up to eight control sources to each output slot, with merge and/or priority options user-configurable for each source
- Acts as E1.20 RDM controller, when used with free Pathscape configuration software or ANSI E1.33 RDMnet compliant controllers
- User-configurable DMX output speed and signal loss behavior
- Supports the following DMX-over-Ethernet sending and receiving protocols:
 - Pathway ssACN (Secure sACN)
 - E1.31 streaming ACN (sACN)
 - Art-Net
 - Pathport Protocol
 - ShowNet
- Silent, fan-less operation
- Rack-mount ears included
- Wide-range line voltage power input (P8), or PoE/DC-powered (P4 and P8)
- Contact closure input configurable per port to Pause RDM or DMX Force Hold
- Also available in DIN-mount (PWPP DIN) and Wall-mount (PWPP WM) form factors

ORDERING INFORMATION

PWPP		EXAMPLE: PWPP RM P8 XLR5F REAR IEC					
Series	Form Factor	Port Quantity	Port Type	Port Location	Power Connector		
PWPP Pathway Pathport DMX/RDM Ethernet Gateway	RM Rack-mount	P4 ^{1,2} 4 DMX Ports P8 8 DMX Ports	XLR5F XLR 5-Pin Female TERM ³ Compression-Fit Terminal RJ45EC ^{4,5} RJ45 etherCON XLRTERM ^{2,6} XLR 5-Pin Female & Compression-Fit Terminal	FRONT Ports on Front Panel REAR Ports on Rear Panel FRTRR Ports on Front AND Rear Panel [XLRTERM] XLR ports on Front and Terminal on Rear	IEC 100-240 50/60 Hz VAC- lead included DCPOE Class 2 PoE or 24-48 VDC ⁷		

Notes

1. P4 available with REAR ports and DCPOE only.
2. P4 not available with XLRTERM.
3. TERM ports available on REAR only; not available with FRTRR.
4. RJ45EC not available with FRTRR.
5. Models with RJ45EC are custom-built and are not returnable.
6. XLRTERM only available on P8, with FRTRR.
7. Optional purchase PWPWR WW BARL 24W 24VDC.

SPECIFICATIONS

Electrical	Input Ratings	PWPP RM P8 XX IEC 100-240VAC, 50/60Hz wide-range power input 0.08A max power consumption
		PWPP RM XX DCPOE PoE Class 2 device 24-48VDC auxiliary power input 8W maximum power consumption
	Isolation & Fault Protection	3000V isolation between DMX ports 250V fault protection on DMX ports
	Regulatory Compliance	PWPP RM IEC ETL, CE PWPP RM P4 CE
Mechanical	Dimensions	PWPP RM P8 17" W x 1.7" H x 7.0" D (433mm W x 43mm H x 178mm D) PWPP RM P4 8.6" W x 1.7" H x 7.0" D (218mm W x 43mm H x 178mm D)
	Weight	PWPP RM P8 5.2 lbs (2.4 kg) [base device, without rack mounting hardware] PWPP RM P4 2.3 lbs (1 kg) [base device, without rack mounting hardware]
Environmental	Operating Temperature	14°F to 122°F (-10°C to 50°C)
	Relative Humidity	5-95%, non-condensing
	Standard Compliance	RoHS 2011/65/EU + A1 2015/863
General	Compliance	ANSI E1.11 DMX512-A R2013 ANSI E1.20 RDM - Remote Device Management ANSI E1.31 sACN - Streaming ACN, Art-Net, Strand ShowNet, Pathway ssACN ANSI E1.33 RDMnet - RDM over IP California Title 1.81.26, Security of Connected Devices FAR-889 Section 889(a)(1)(A) and Section(a)(1)(B)
		PWPP RM XX DCPOE IEEE 802.3af Power-over-Ethernet

PART NUMBER CROSS-REFERENCE

PREVIOUS	NEW	
Part Number	Catalog Number	Description
6321 (QUATTRO)	PWPP RM P4 XLR5F REAR DCPOE	Pathport, Rack-mount, 4-Ports, XLR 5-Pin Female, Rear Panel Connectors
6322 (QUATTRO)	PWPP RM P4 TERM REAR DCPOE	Pathport, Rack-mount, 4-Ports, Compression Fit Terminal, Rear Panel Connectors
6326 (QUATTRO)	PWPP RM P4 RJ45EC REAR DCPOE	Pathport, Rack-mount, 4-Ports, RJ45 EtherCON, Rear Panel Connectors
6421 (OCTO)	PWPP RM P8 XLR5F REAR IEC	Pathport, Rack-mount, 8-Ports, XLR 5-Pin Female, Rear Panel Connectors
6422 (OCTO)	PWPP RM P8 TERM REAR IEC	Pathport, Rack-mount, 8-Ports, Compression Fit Terminal, Rear Panel Connectors
6423 (OCTO)	PWPP RM P8 XLR5F FRONT IEC	Pathport, Rack-mount, 8-Ports, XLR 5-Pin Female, Front Panel Connectors
6424 (OCTO)	PWPP RM P8 XLRTERM FRTRR IEC	Pathport, Rack-mount, 8-Ports, Front XLR 5-Pin Female, Rear Terminal, Front and Rear Panel Connectors
6425 (OCTO)	PWPP RM P8 XLR5F FRTRR IEC	Pathport, Rack-mount, 8-Ports, XLR 5-Pin Female, Front and Rear Panel Connectors
6426 (OCTO)	PWPP RM P8 RJ45EC REAR IEC	Pathport, Rack-mount, 8-Ports, RJ45 EtherCON, Rear Panel Connectors
6427 (OCTO)	PWPP RM P8 RJ45EC FRONT IEC	Pathport, Rack-mount, 8-Ports, RJ45 EtherCON, Front Panel Connectors

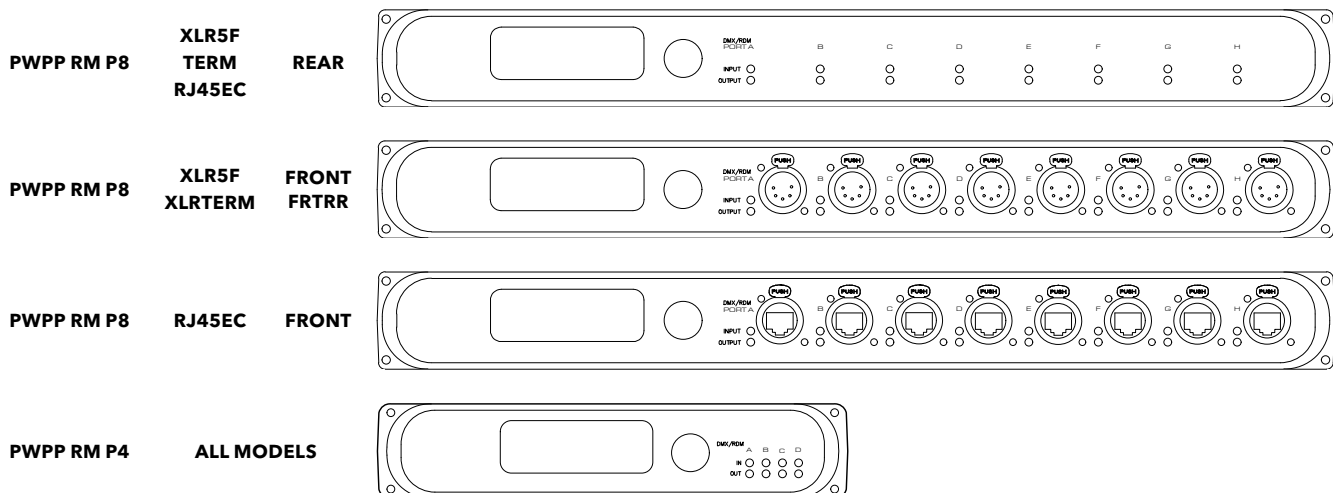
ADDITIONAL ORDERING INFORMATION

Accessories		
PWCON PH5 IDC3 Q4	Connector, 5-Pin Phoenix, 3-Pin Insulation Displacement Contact Connector, (Qty 4)	PWPWR WW BARL 24W 24VDC Power Supply, Wallwart, Barrel, 24 Watts, 24 Volts DC (for PWPP RM XX DCPOE)
PWACC WMLG	Pathway Accessory, Large Rack-mount to Wall-mount kit	PWACC XLRMKIT Pathway Accessory Front XLR Connector Kit, Pathport Rackmount 4-port, XLR5M Input (x4)
PWACC TMLG	Pathway Accessory, Large Rack-mount to Truss-mount kit	PWACC XLRFKIT Pathway Accessory Front XLR Connector Kit, Pathport Rack-mount 4-port, XLR5F Output (x4)
PWACC TMSM	Pathway Accessory, Small Rack-mount to Truss mount kit	PWACC XLRMFKIT Pathway Accessory Front XLR Connector Kit, Pathport Rack-mount 4-port, XLR5M (x2), XLR5F (x2)
PWACC WMSM	Pathway Accessory, Small Rack-mount to Wall-mount kit	
PWACC EARS	Pathway Accessory, 19" Replacement Rackmount Ear Kit	

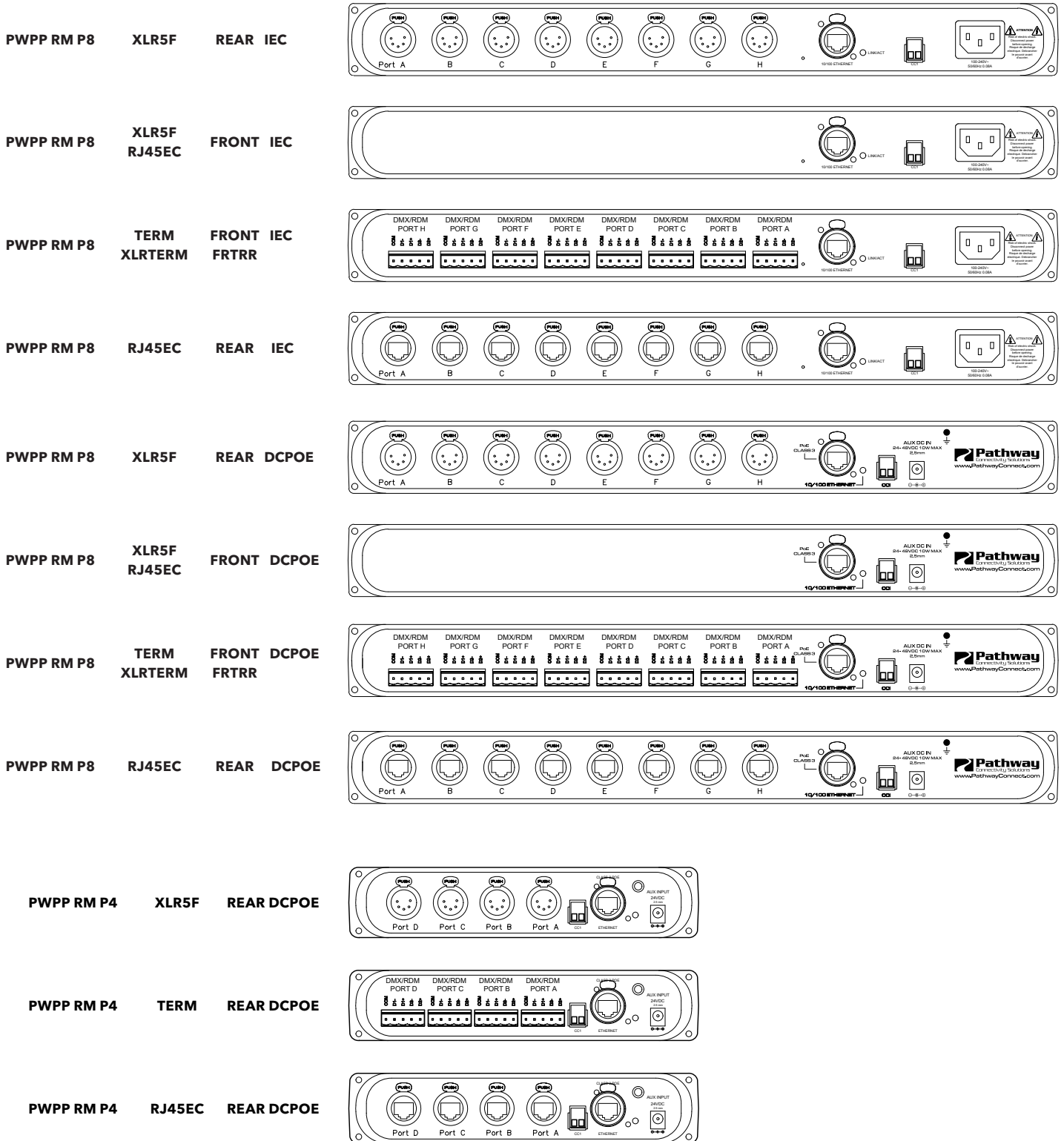
WIRING

DMX512 / RDM PINOUT		
Purpose	XLR / Terminal Block Pin #	RJ45 PIN # and Wire Color
Shield / Common	1	7 - White / Brown
Data - (complement)	2	2 - Orange
Data + (true)	3	1 - White / Orange
Not Used	4	6 - Green
Not Used	5	3 - White / Green
Not Used - Do Not Connect	N/A	4 - Blue
Not Used - Do Not Connect	N/A	5 - White / Blue
Not Used - Do Not Connect	N/A	8 - Brown

FRONT PANEL

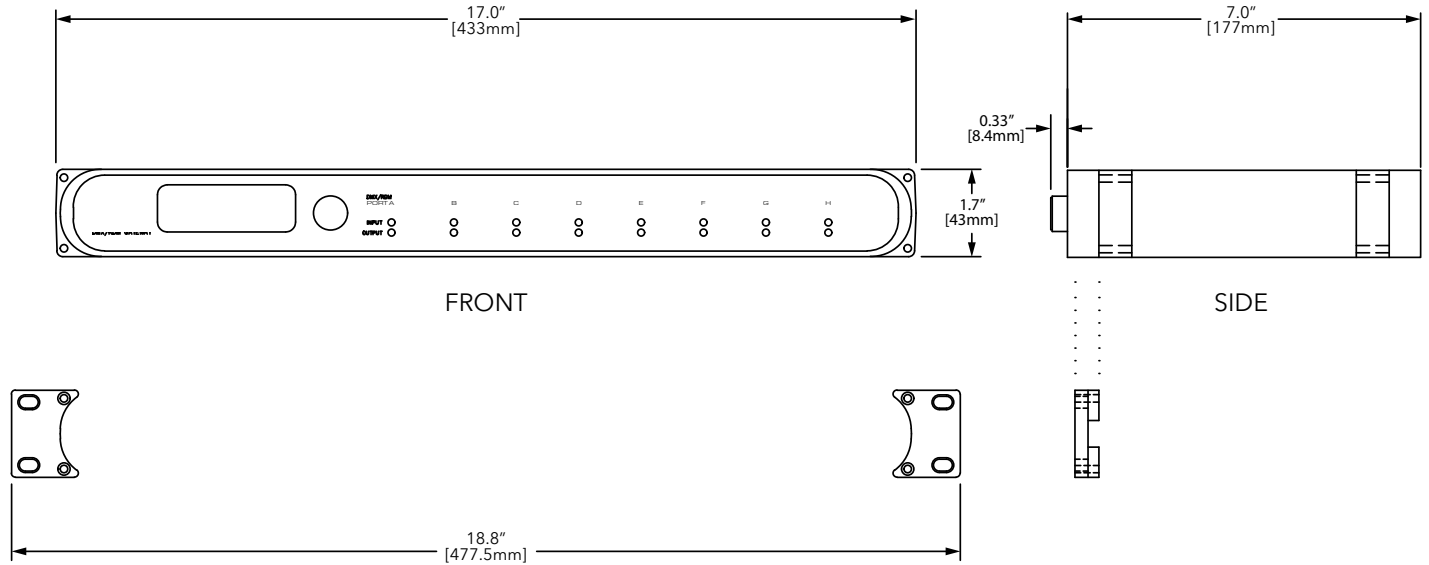


REAR PANEL

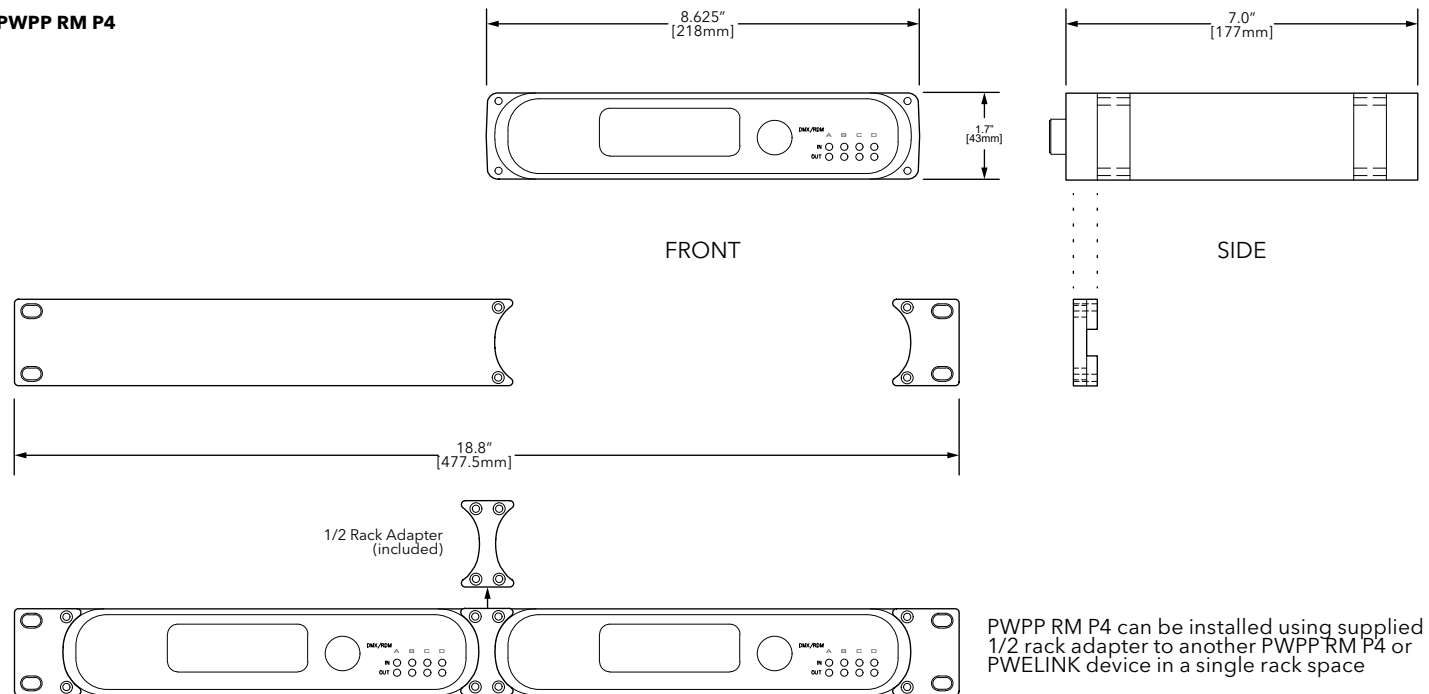


DIMENSIONS

PWPP RM P8



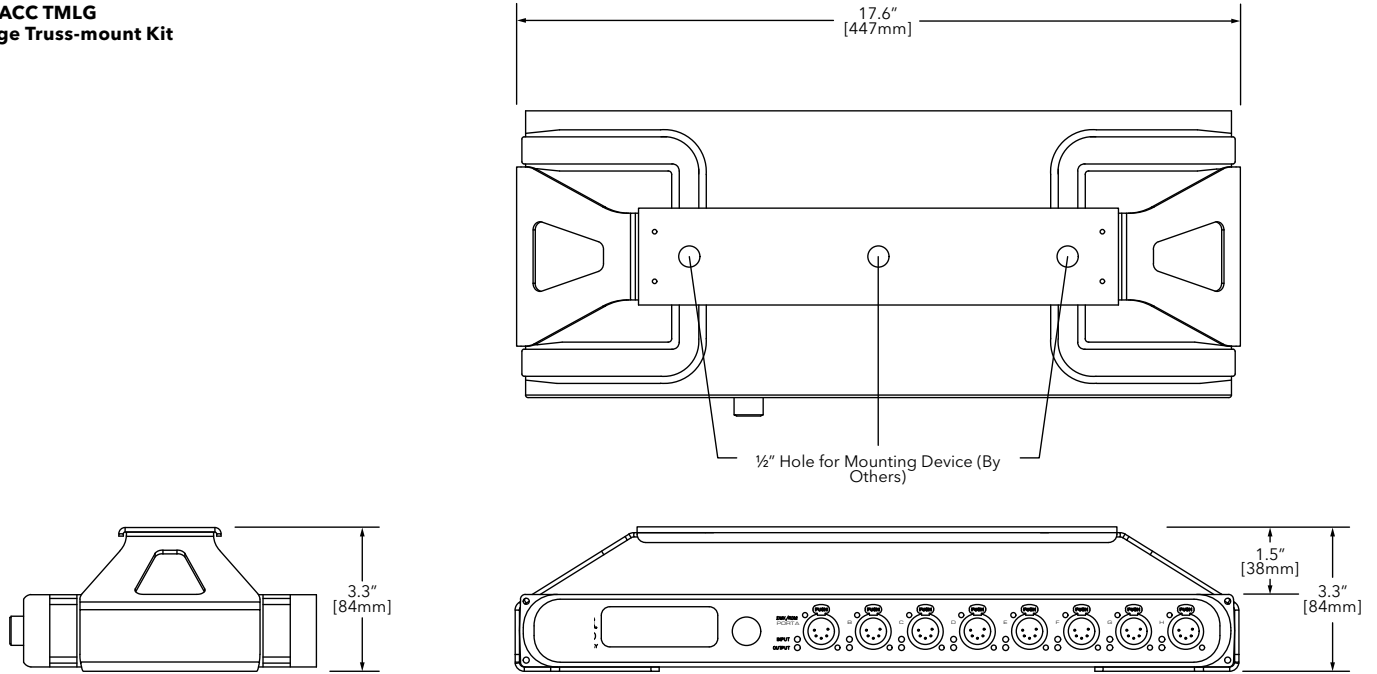
PWPP RM P4



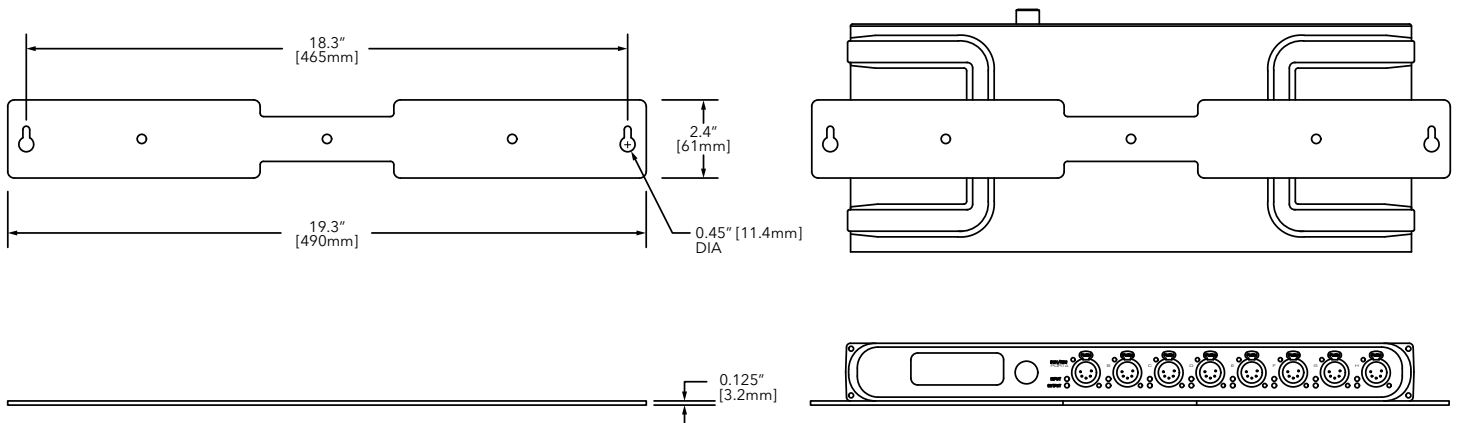
PWPP RM P4 can be installed using supplied 1/2 rack adapter to another PWPP RM P4 or PWELINK device in a single rack space

TRUSS & WALL MOUNT ACCESSORIES

PWACC TMLG Large Truss-mount Kit

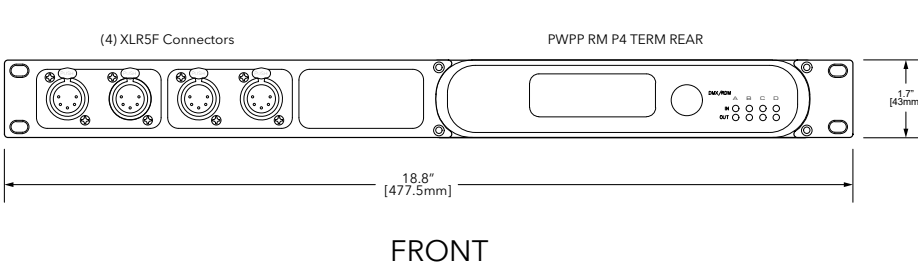


PWACC WMLG Large Wall-mount Kit

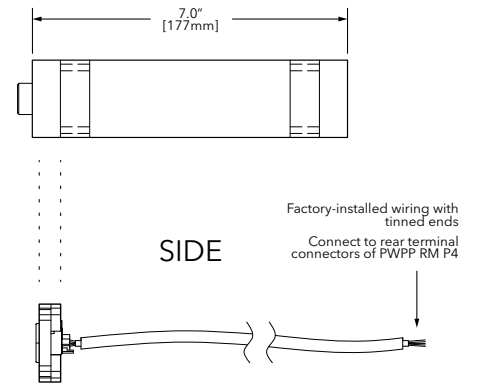


CONNECTOR KIT ACCESSORY

PWACC XLRFKIT Front XLR Connector Kit



PWACC XLRFKIT Shown
(4 XLR 5-Pin Female Connectors)
4 XLR 5-Pin Male and 2-Female/2-Male
versions also available.



APPLICATION RISER

