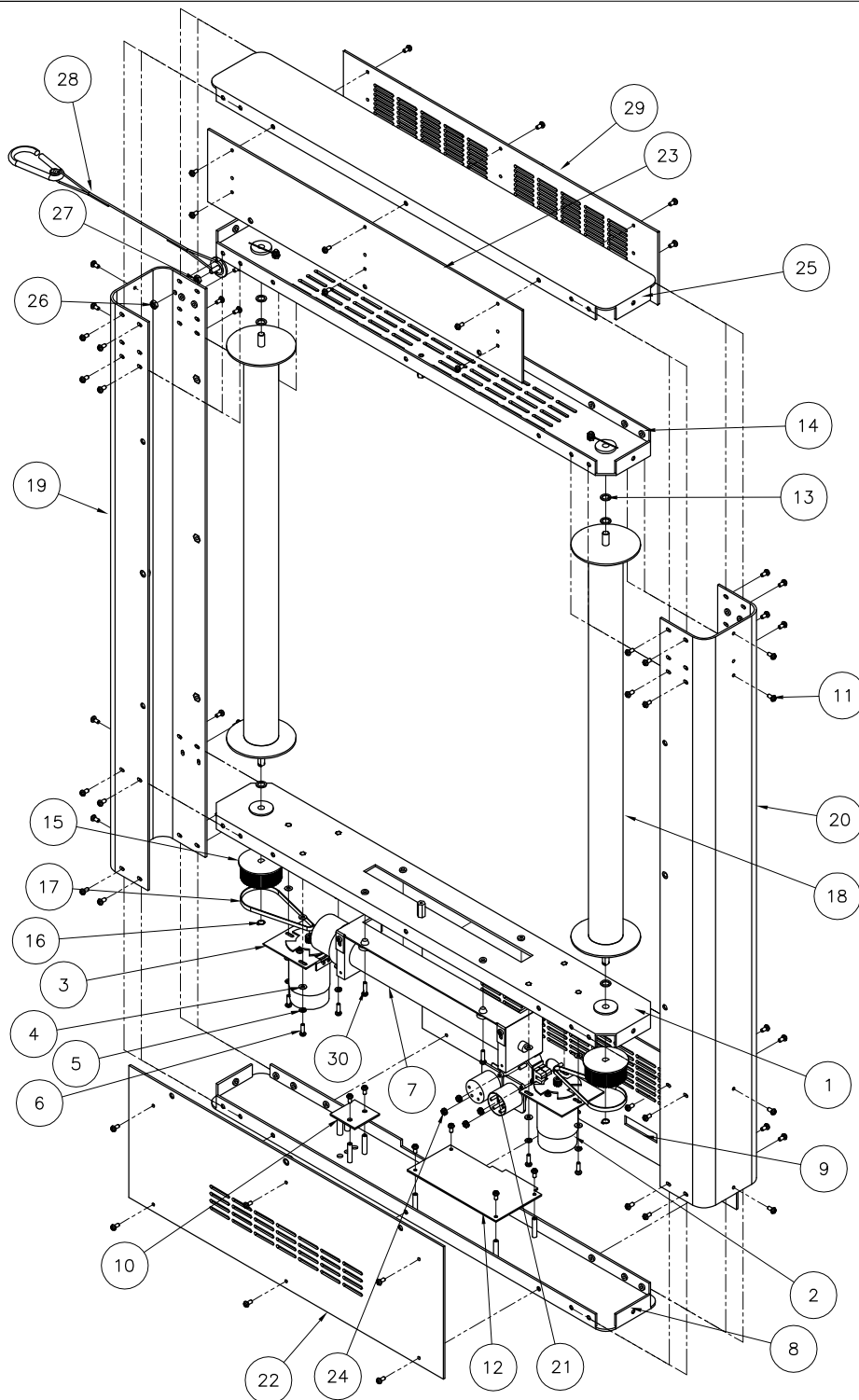


CHROMA-Q M5



CQM5-31	JUMPER 4 WIRE	1
CQM5-30	SCREW M3x12 PH PLPS Bik	4
CQM5-29	COVER BACK TOP	1
CQM5-28	SAFETY CHAIN ASSY 2 KIT	1
CQM5-27	NUT HEX M4	1
CQM5-26	NUT HEX M4 NYLOCK Bik	1
CQM5-25	CAP TOP END	1
CQM5-24	NUT HEX M3 COMBI Bik	4
CQM5-23	COVER TOP FRONT	1
CQM5-22	COVER FRONT BOTTOM	1
CQM5-21	XLR ASSY	1
CQM5-20	COVER SIDE RH	1
CQM5-19	COVER SIDE LH	1
CQM5-18	T.U.R. M5	2
CQM5-17	BELT TIMING T2.5-200	2
CQM5-16	RET RING EXT 6mm	2
CQM5-15	PULLEY TIMING BELT 48TEETH	2
CQM5-14	TOP PLATE C/W BEARINGS	1
CQM5-13	WASHER FLAT 0.260"ID Ni	6
CQM5-12	PCB MAIN	1
CQM5-11	SCREW M3x6 PH PLPS Bik	70
CQM5-10	PCB LED	1
CQM5-09	COVER BACK BOTTOM	1
CQM5-08	CAP BOTTOM END	1
CQM5-07	FAN ASSY	1
CQM5-06	SCREW M3x10 PH PLPS Bik	6
CQM5-05	WASHER LOCK M3 Bik	6
CQM5-04	WASHER FLAT M3 Bik	12
CQM5-03	MOTOR ASSY	1
CQM5-02	MOTOR ASSY C/W OPTO SWITCH	1
CQM5-01	MOTOR PLATE C/W BEARINGS	1
ORDER#	DESCRIPTION	QTY
Parts List		