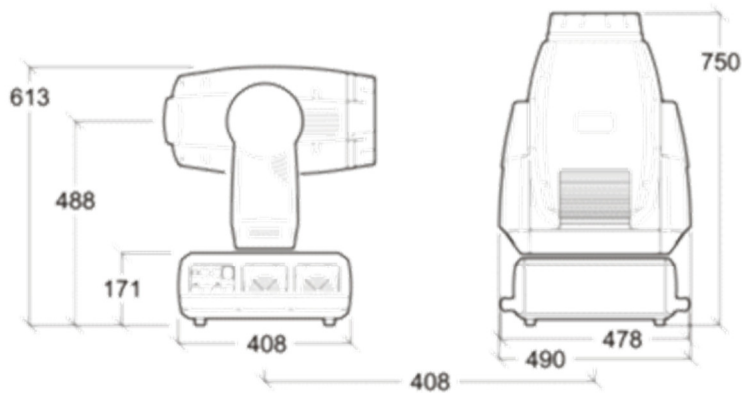


MAC 2000 Wash XB™ Specifications

The MAC 2000 Wash XB takes the proven qualities of the market's wash light of choice, the MAC 2000 Wash, and adds even greater brightness

Features

- 1500 W short arc discharge
- CMY color mixing system
- 2 x 4 position color wheels plus open
- Variable CTC
- Motorized zoom
- PC, Fresnel and micro-Fresnel (all included) and super-wide
- Mechanical dimming
- Strobe effect up to 10 Hz, pulse effects, instant open and blackout
- Pan and tilt range of 540°/267°
- Variable fan control for quieter operation
- Modular design for easy maintenance and servicing
- Electronic ballast with hot lamp restrike and flicker free light



Physical

- Length: 408 mm (16.1 in.)
- Width: 490 mm (19.3 in.)
- Height: 750 mm (29.5 in.), head straight up

Weight: 38 kg (83.8 lbs.)

Lamp

Type: 1500 W short-arc discharge

Fitted as standard: Osram HTI 1500 W/D7/60 SharXS

Color temperature: 6000 K

CRI (Color rendering index): >90

Average lifetime: 750 hours

Hot restrike: Yes

Socket: Double-ended SFC 10-4 with key

Ballast: Electronic

Dynamic Effects

Color mixing: CMY, independently variable 0 - 100%

Color correction: 0 - 178 mireds, continuously variable

Color wheel: 2 wheels, each with 4 interchangeable filters + open position

Mechanical dimmer: 0 - 100%

Shutter: Strobe effect up to 10 Hz, pulse effects, instant open and blackout

Zoom: Motorized

Hyper mode: Narrow beam with diffuser removed

Pan: 540°

Tilt: 267°

Optics

Beam angle: PC lens 12.5° - 35°, Fresnel lens 12.5° - 39°, multi-array super-wide lens 73° - 91°, 1/10 peak angles, with 50 mm (2.0 in.) aperture

Control and Programming

DMX channels: 19/21

Setting and addressing: Control panel with LED display

16-bit control: Pan & tilt

Movement control options: Tracking and vector

Protocol: USITT DMX512/1990

Receiver: Opto-isolated RS-485

Firmware update: Serial upload via DMX link

Construction

Color(s): Black

Housing: UV-resistant fiber-reinforced composite

Reflector: Glass, cold light

Protection rating: IP20

Installation

Mounting points: 4 pairs of 1/4-turn locks, 45° orientation possible

Orientation: Any

Connections

AC power input: 3 m (9.8 ft.) integral cable without power plug
DMX data in/out: 3-pin and 5-pin locking XLR

Electrical

AC power: 200-240 V nominal, 50/60 Hz
Power supply unit: Auto-ranging electronic switch-mode
Main fuse: 15 AT (x 2)

Thermal

Cooling: Filtered forced air (temperature-regulated)
Maximum ambient temperature (Ta max.): 40° C (104° F)
Maximum surface temperature, steady state, Ta=40° C: 175° C (347° F)
Total heat dissipation (calculated, +/- 10% at 230 V, 50 Hz): 6120 BTU/hr.

Approvals

EU safety: EN 60598-2-17
EU EMC: EN 55 015, EN 55 103-1, EN 61 547
US safety: UL 1573
Canadian safety: CSA E60598-1, E598-2-17

Included Items

Osram HTI 1500 W/D7/60 SharXS lamp (installed)	P/N 97010322
Front module with Fresnel lens (installed)	P/N 55203003
Front module with PC lens	P/N 55203006
Front module with super wide-angle lens	P/N 55203012
30 mm (1.2 in.) aperture ring	P/N 23807480
40 mm (1.6 in.) aperture ring	P/N 23807460
45 mm (1.8 in.) aperture ring	P/N 23807470
Two Omega clamp attachment brackets with 1/4-turn fasteners	P/N 91602001
User manual	P/N 35000219

Accessories

GE CSR1500/S/DE/60S Staybright lamp	P/N 97010332
Philips MSR Gold 1510 SA/DE lamp	P/N 97010345
MAC 2000 Wash Dimmer Wheel	P/N 62324018
Micro-Fresnel lens (very narrow beam angle)	P/N 91610092
G-clamp	P/N 91602003
Half-coupler clamp	P/N 91602005
T-shaped omega bracket with quarter-turn fasteners	P/N 91602008
Quick trigger clamp	P/N 91602007
MAC 2000 double flightcase	P/N 91510017

Ordering Information

MAC 2000 Wash XB in double flightcase	P/N 90204000
MAC 2000 Wash XB in cardboard box	P/N 90204015

Photometric Data

Very Narrow (Micro Fresnel lens) , Zoom at Hypermode

Efficiency: 31%

Efficacy: 29 lumens per watt

One-tenth peak angle: 9.5°

Total output: 51900 lm

Very Narrow (Micro Fresnel lens) , Zoom at Minimum

Efficiency: 21%

Efficacy: 20 lumens per watt

One-tenth peak angle: 12°

Total output: 35200 lm

Very Narrow (Micro Fresnel lens) , Zoom at Median

Efficiency: 25%

Efficacy: 24 lumens per watt

One-tenth peak angle: 22°

Total output: 41900 lm

Very Narrow (Micro Fresnel lens) , Zoom at Maximum

Efficiency: 28%

Efficacy: 26 lumens per watt

One-tenth peak angle: 33°

Total output: 46100 lm

Narrow (PC lens) , Zoom at Hypermode

Efficiency: 34%

Efficacy: 32 lumens per watt

One-tenth peak angle: 12.5°

Total output: 56900 lm

Narrow (PC lens) , Zoom at Minimum

Efficiency: 24%

Efficacy: 22 lumens per watt

One-tenth peak angle: 13°

Total output: 40000 lm

Narrow (PC lens) , Zoom at Median

Efficiency: 29%

Efficacy: 27 lumens per watt
One-tenth peak angle: 22°
Total output: 47500 lm

Narrow (PC lens) , Zoom at Maximum

Efficiency: 31%
Efficacy: 29 lumens per watt
One-tenth peak angle: 35°
Total output: 50800 lm

Medium (Fresnel lens) , Zoom at Hypermode

Efficiency: 32%
Efficacy: 30 lumens per watt
One-tenth peak angle: 12.5°
Total output: 53600 lm

Medium (Fresnel lens) , Zoom at Minimum

Efficiency: 22%
Efficacy: 20 lumens per watt
One-tenth peak angle: 15°
Total output: 36400 lm

Medium (Fresnel lens) , Zoom at Median

Efficiency: 28%
Efficacy: 26 lumens per watt
One-tenth peak angle: 26°
Total output: 45900 lm

Medium (Fresnel lens) , Zoom at Maximum

Efficiency: 31%
Efficacy: 28 lumens per watt
One-tenth peak angle: 39°
Total output: 50500 lm

Very Wide (Super Wide lens) , Zoom at Hypermode

Efficiency: 38%
Efficacy: 35 lumens per watt
One-tenth peak angle: 73°
Total output: 63100 lm

Very Wide (Super Wide lens) , Zoom at Minimum

Efficiency: 26%
Efficacy: 24 lumens per watt
One-tenth peak angle: 76°
Total output: 43100 lm

Very Wide (Super Wide lens) , Zoom at Median

Efficiency: 31%

Efficacy: 29 lumens per watt

One-tenth peak angle: 85°

Total output: 51200 lm

Very Wide (Super Wide lens) , Zoom at Maximum

Efficiency: 34%

Efficacy: 31 lumens per watt

One-tenth peak angle: 91°

Total output: 55700 lm